

- 8 Digital Inputs
- 6 Relay outputs
- 2 Transistor outputs
- Built in OLED Display



Main

Range of product	NORVI CEMA
Product type	Programmable Controller
Rated supply voltage	24V DC
Discrete input number	8 discrete input
Discrete output type	Relay and Transistor
Discrete output number	6 Relay outputs , 2 Transistor outputs
Discrete output voltage	24V DC for transistor output
Discrete output current	0.5A with T0.0... T0.1 Transistor 2 A with R0....R5

Complementary

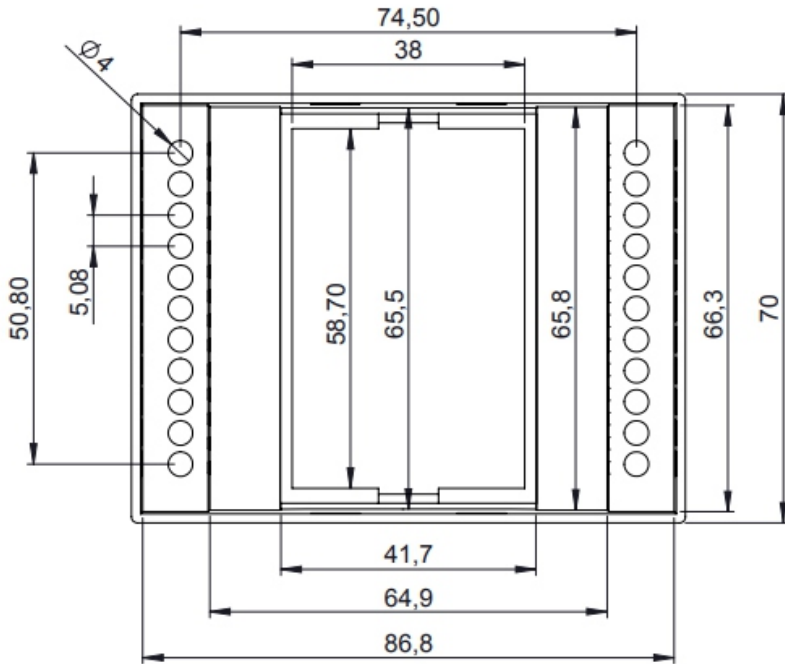
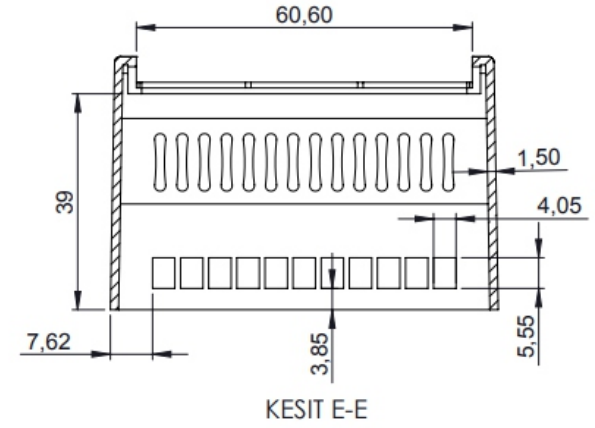
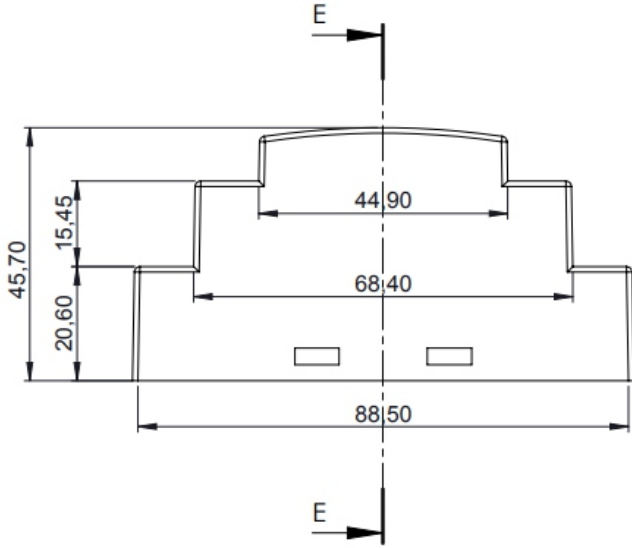
Discrete IO number	16
Number of Expansions	-----
Supply voltage limits	20.4....28.8V
Inrush current	<=50A
Power consumption in W	32.6.....40.4 with all outputs ON
Discrete logic input	Sink or source
Discrete input voltage	24V
Discrete input voltage type	DC
Voltage state 1 guaranteed	>=15 V for input
Voltage state 0 guaranteed	<=5 V for input
Discrete input current	5 mA for input
Input impedance	4.7k Ohm for input
Memory capacity	Refer datasheet of base micro-controller
Battery type	-----
Backup time	-----

Local signalling	1 LED green for PWR 1 LED green for RUN 8 LED green for I0.....I7 6 LED green for R0.....R5 2 LED green for T0....T1
Electrical connection	Removable screw terminal block for inputs and outputs (pitch 5.08 mm)
Mounting support	Top hat type TH35-15 rail conforming to IEC 60715 Top hat type TH35-7.5 rail conforming to IEC 60715 Plate or panel with fixing kit
Height	90.50 mm
Depth	56.60 mm
Width	60.60 mm
Product weight	0.43 Kg

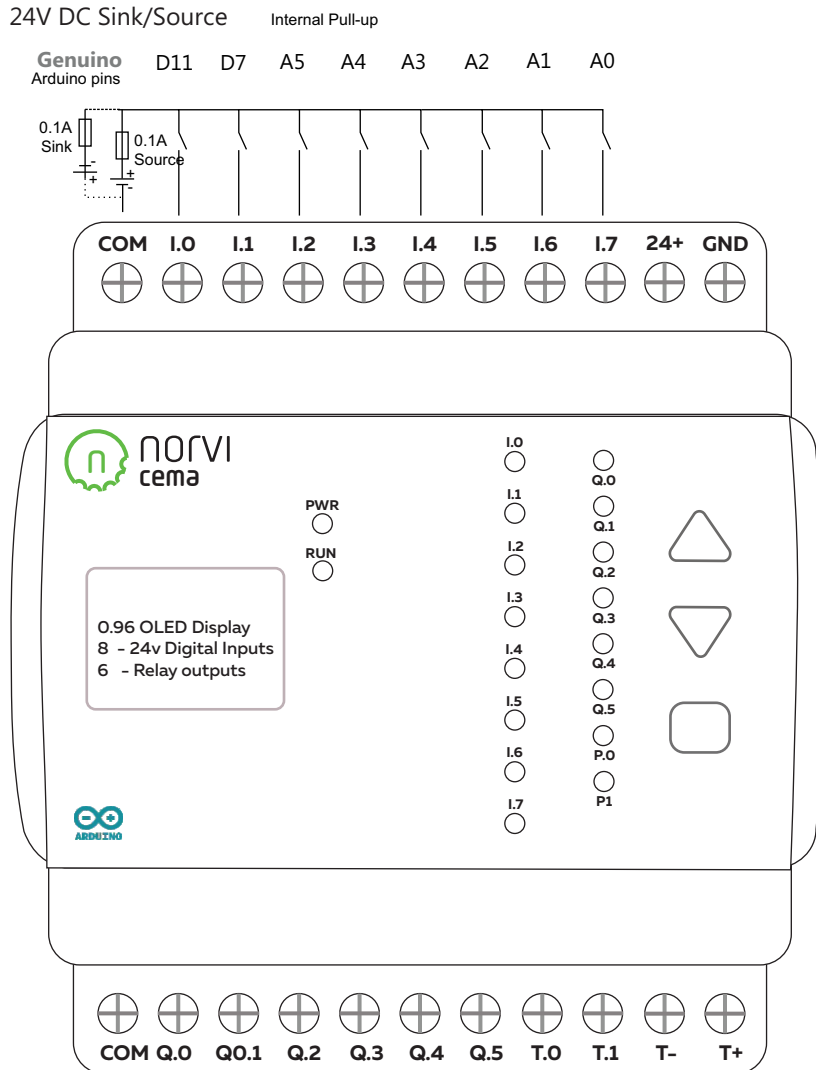
Environment

Resistance to electrostatic discharge	4kV on contact 8kV on air
Resistance to electro magnetic fields	10 V/m (80 MHz 1GHz) 3 V/m (1.4 MHz 2 GHz) 1 V/m (2 MHz 3 GHz)
Immunity to microbreaks	10 ms
Relative humidity	10....95% without condensation in operation
IP degree of protection	IP20
Operating altitude	0...2000m
Storage altitude	0...3000m
Shock resistance	15 gn for 11 ms

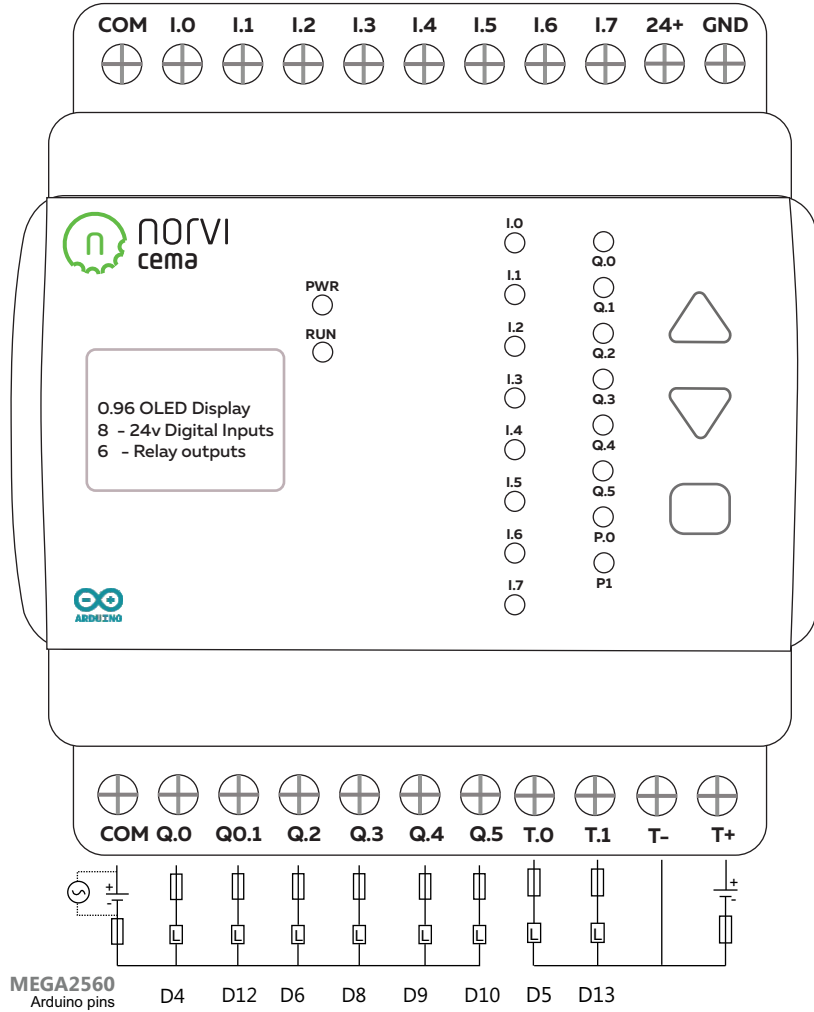
Dimensions



Digital inputs wiring diagram



Relay and Transistor outputs wiring diagram



Integrated OLED Display and Buttons

Use Adarfruit OLED Library for Display functions

