

2 / 4 Channel Thermocouple K-, J-, N-, T-, S-, R-, and E-Type

Interface with controller
I2C via SC18IS602B

Versions Available for Most Common Thermocouple Types:
K-, J-, N-, T-, S-, R-, and E-Type

Detects Thermocouple Shorts to GND or VCC

Detects Open Thermocouple

Allows readings as high as +1800°C and as low as -270°C



Main

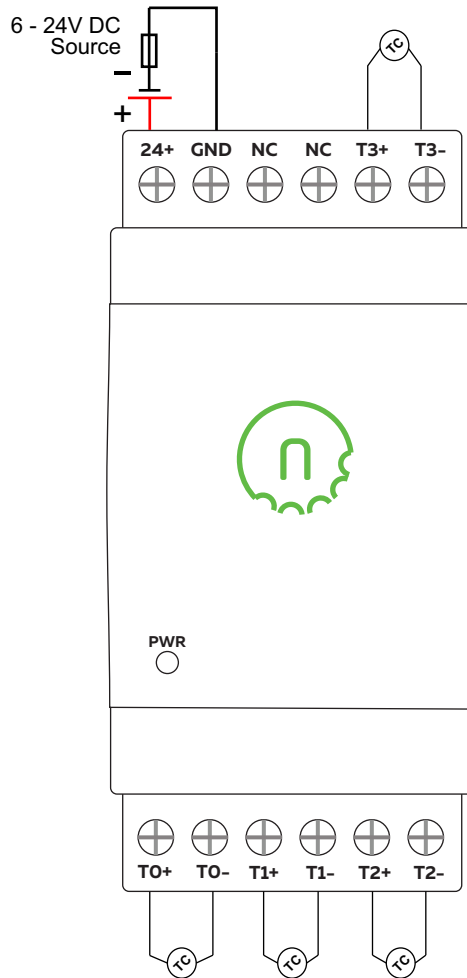
Range of product	NORVI Expansion
Product type	Expansion Module
Rated supply voltage	12 - 24V DC
Field of Application	Temperature measurement
Applicable Devices	NORVI IIOT / NORVI Arita
Aquisition	Thermocouple K-, J-, N-, T-, S-, R-, and E-Type
ADC Chip	MAX31855
Module Address	I2C via SC18IS602B
Resolution	0.25' C

Complementary

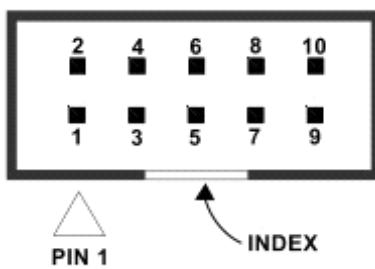
Local signalling	1 LED green for PWR
Electrical connection	Removable screw terminal block for inputs and outputs (pitch 5.08 mm)
Mounting support	Top hat type TH35-15 rail conforming to IEC 60715 Top hat type TH35-7.5 rail conforming to IEC 60715
Height	86.00 mm
Depth	59.00 mm
Width	35.00 mm
Product weight	0.12 Kg

Environment

Relative humidity	10....95% without condensation in operation
IP degree of protection	IP20
Operating altitude	0...2000m
Storage altitude	0...3000m
Shock resistance	15 gn for 11 ms
Operating temperature	-40 to +85 'C

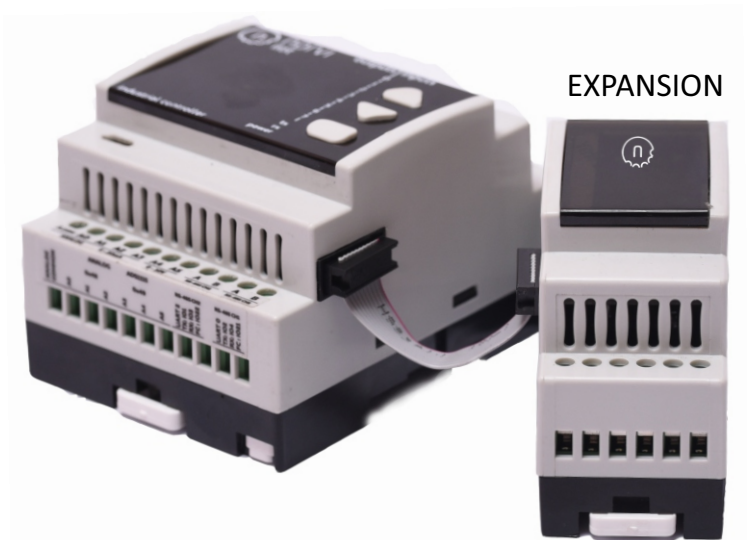


Expansion port pin map

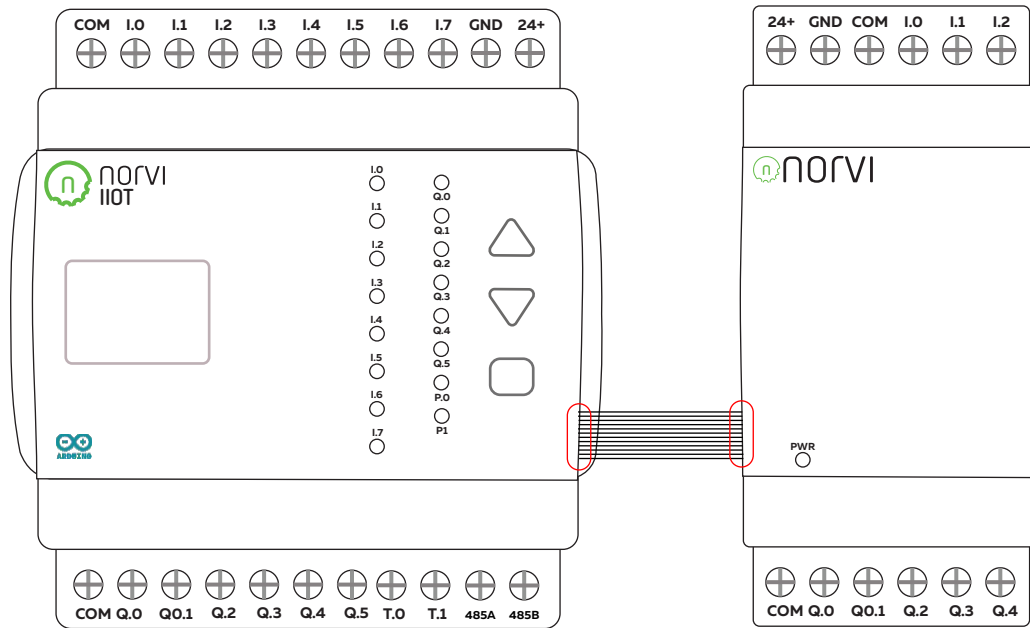


PIN	ESP32 Connection
1	TXD0
2	IO33
3	RXD0
4	Not Connected
5	IO32
6	BOOT IO0
7	SCL IO17
8	Not Connected
9	SDA IO16
10	Ground

CONTROLLER

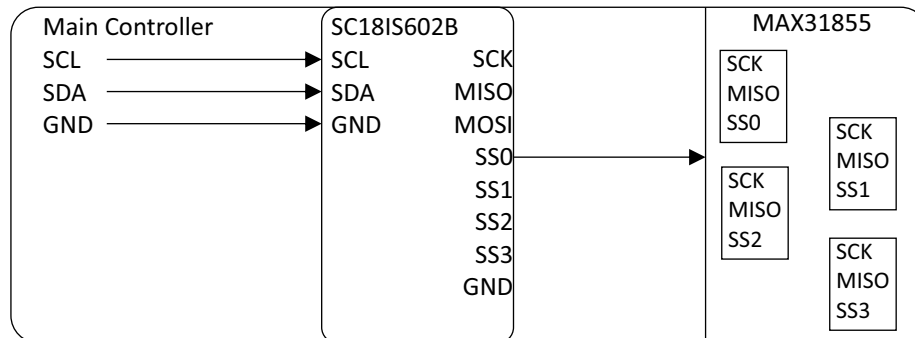


EXPANSION



Main Controller

Expansion Module



Analog Module communication

Module Type	MAX31855
Communication	I2C
Module Address	0x48
Command set	https://norvi.lk/forums/

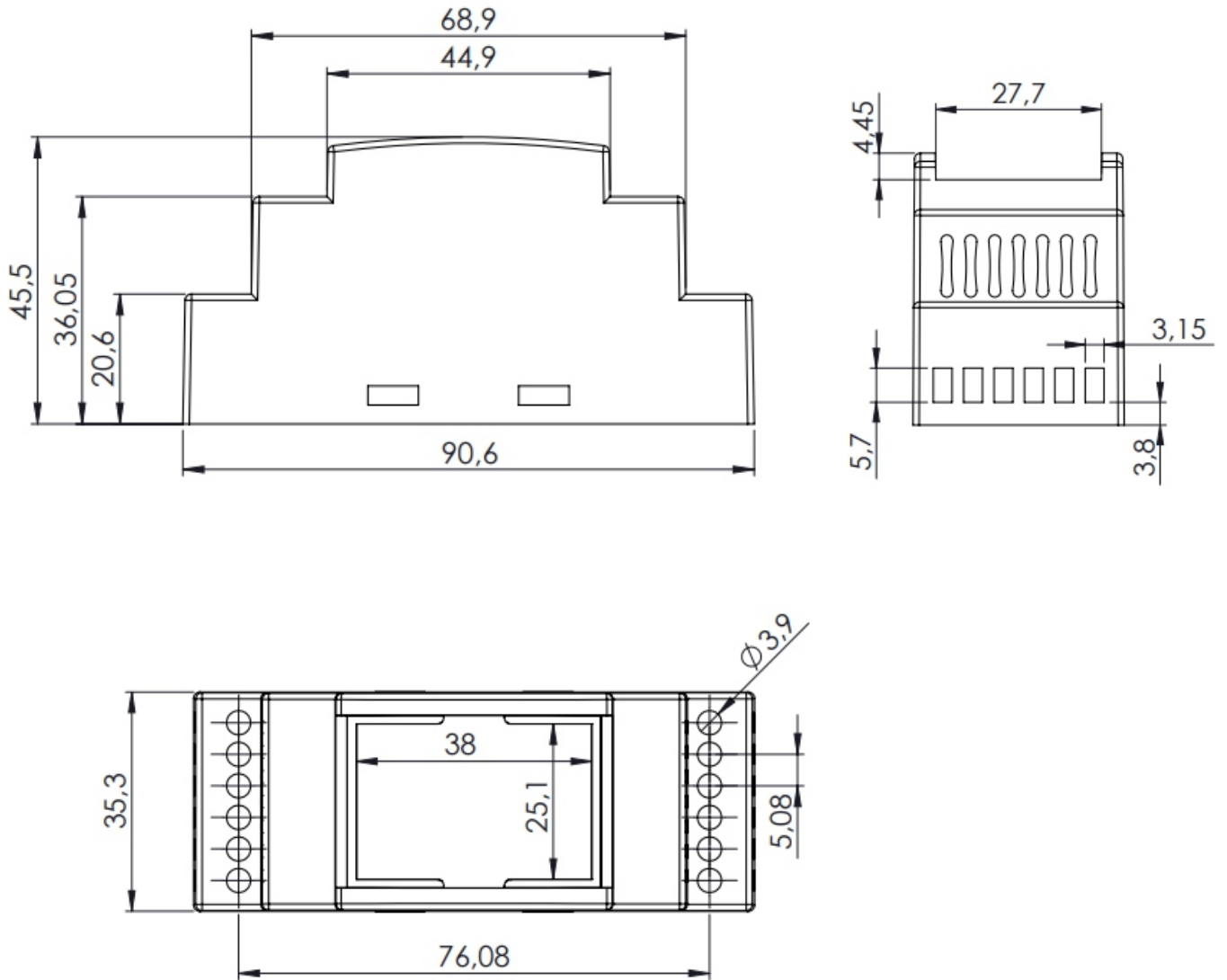
Refer datasheets of SC18IS602B and MAX31855 for detailed information

<https://www.quectel.com/product/bc95g.htm>

Example program and libraries available at

<https://norvi.lk/forums>

Dimensions





Reach-Us

Technical Support

E-mail : info@icd.lk

Forum : <https://norvi.lk/forums/>

Sales Inquiries

E-mail : bhanuka@icd.lk

Web : <https://norvi.lk/support/>

Order Online

<https://norvi.lk/>